

# JVC

## SERVICE MANUAL

### STEREO HEADPHONES

# HA-E5-BU/SL(E),(J),(K)



HA-E5-BU



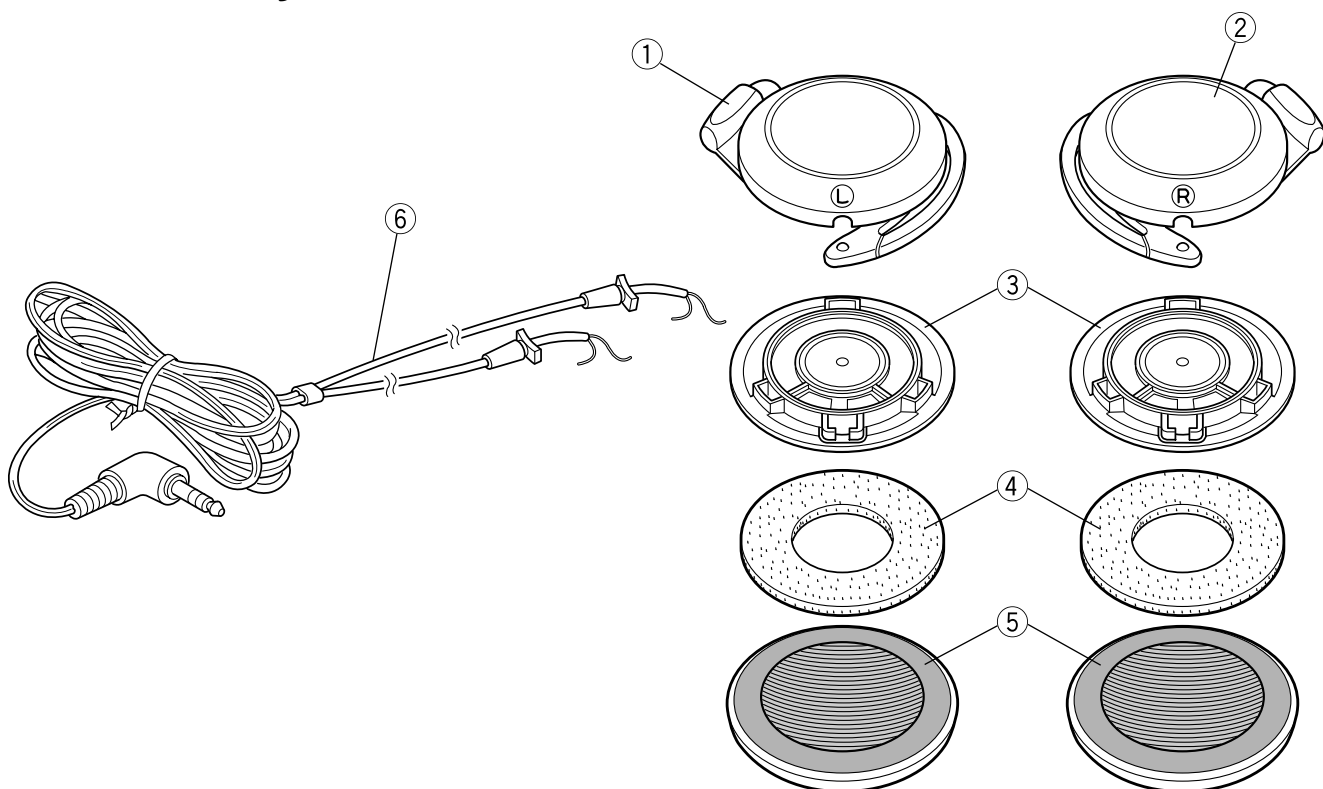
HA-E5-SL

### Specifications

Type	: Moving coil
Frequency response	: 14 Hz-24 000 Hz
Nominal impedance	: 32 ohms
Sensitivity	: 91 dB/1 mW
Max.input capability	: 30 mW
Cord length	: 1.2 m (3.94 ft) with 3.5 mm dia.stereo miniplug
Mass	: 34 g (1.20 oz) (without cord) 44 g (1.55 oz) (with cord)

*Design and specifications subject to change without notice.*

# Disassembly



## Parts List

△	Item No.	Parts No.	Parts Name	Q' ty	Description
	1	J33496-001	Housing Ass'y (L)	1	for BU model only
	1	J33496-002	Housing Ass'y (L)	1	for SL model only
	2	J33497-001	Housing Ass'y (R)	1	for BU model only
	2	J33497-002	Housing Ass'y (R)	1	for SL model only
	3	J33498-001	Driver Unit Ass'y	2	
	4	J46773-001	Pad Urethan	2	
	5	J46772-001	Ear Pad	2	
	6	J46853-001	Cord Ass'y	1	1.2 m (3.94 ft)

\*Parts marked (△) are safety parts. When replacing, be sure to use the specified one.

## Parts Replacement

Remove ear pads ⑤ and pad urethan ④ .

• Replacement of ear pads ⑤ and pad urethan ④ .

Remove driver unit ass'y ③ from housing ass'y ① , ② .

• Replacement of driver unit ass'y ③ .  
 • Replacement of cord ass'y ⑥ .  
 • Replacement of housing ass'y ① , ② .

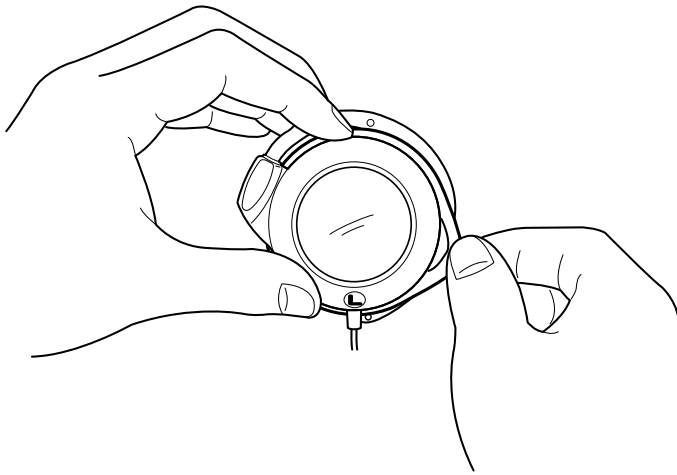
### Note:

Refer to "How to remove parts" below.

When soldering, use a low temperature soldering iron (about 30 watts).

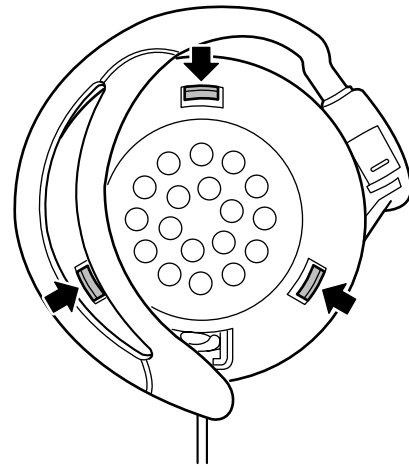
## How to Remove Parts

### • Removal of the ear pads



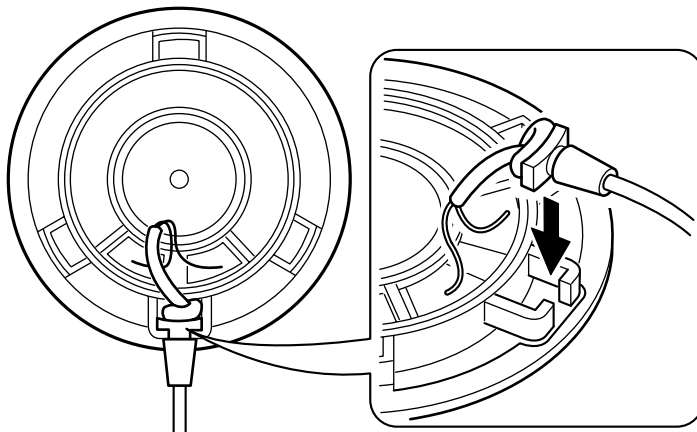
As shown in figure, take off ear pad gently.

### • Removal of the driver unit ass'y



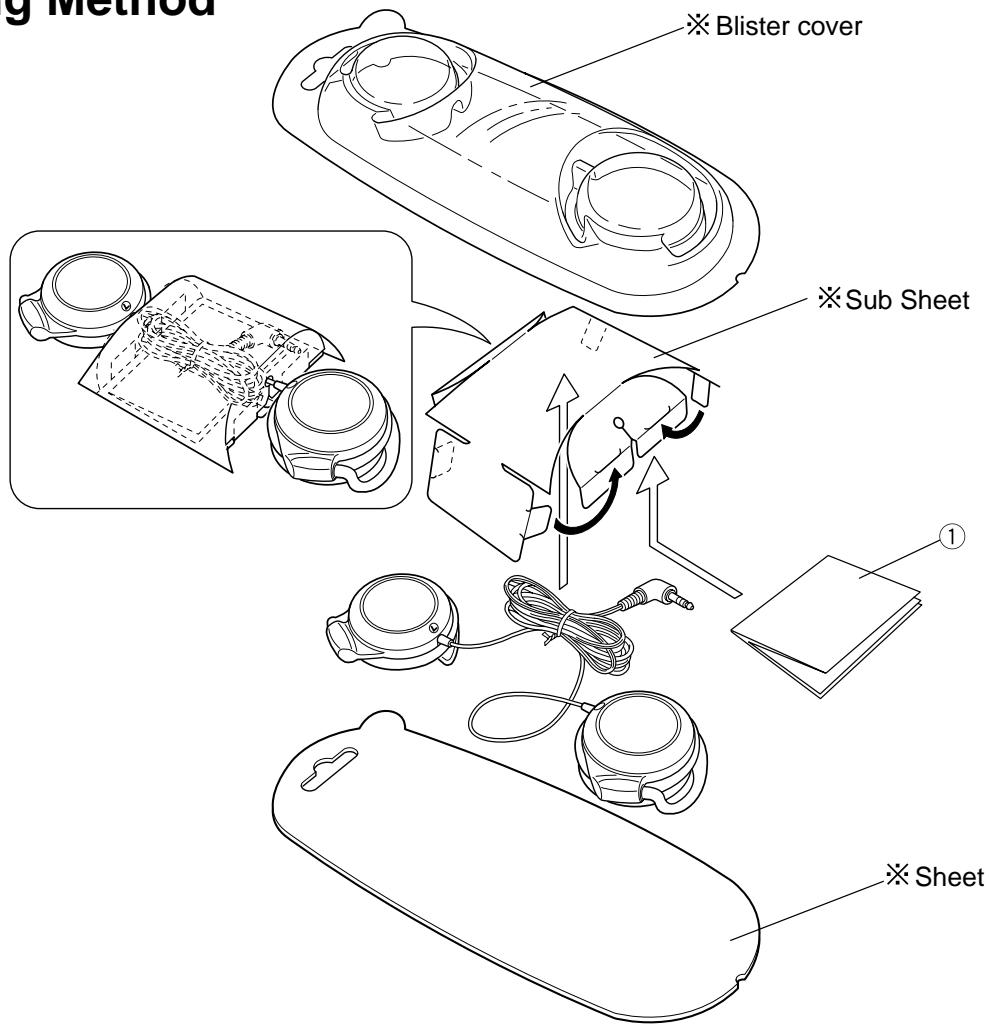
Detach the Housing Ass'y from the Driver unit Ass'y by pushing the three latches to the direction mentioned on figure.

### • Assemble of driver unit ass'y



Before setting driver unit ass'y to hanger, be careful to place cord into gutter.

# Packing Method



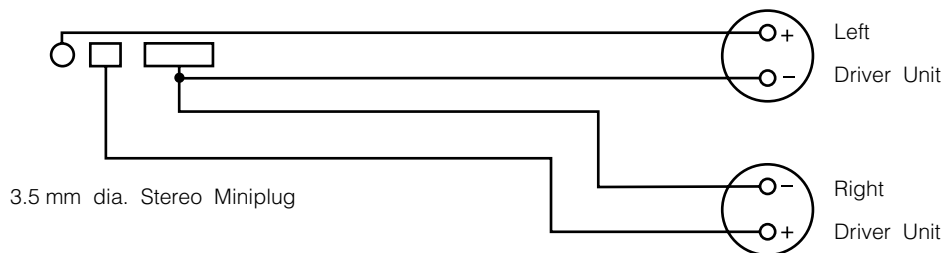
Note : These parts which was marked ※(Blister cover/sub sheet and sheet) will not be able to supply as our service parts Because the blister cover and rear sheet cover together of this package are adhered by glue.

## ■ Packing Materials

△	Item No.	Parts No.	Parts Name	Q' ty	Description
	1	BT-51007-5	Warranty Infomation Card	1	for BU(J), SL(J)

\* Parts marked ( △ ) are safety parts. When replacing, be sure to use the specified one.

# Wiring Diagram



**VICTOR COMPANY OF JAPAN, LIMITED**

COMMUNICATION NETWORK BUSINESS UNIT, YAMATO PLANT, 1644, SHIMOTSURUMA, YAMATO-SHI KANAGAWA-KEN, 242-8514, JAPAN